



SICOM1005R-M12

5 Port Unmanaged IP67
Industrial Ethernet Switch

CE, FCC, RoHS

Overview

The SICOM1005R-M12 IP67 unmanaged industrial Ethernet switch is specially designed for moving vehicles, rail transportation, and tunnels which circumstances have special requirements on anti vibration, corruption and humidity. It offers 5 10/100Base-T(X) ports with M12 connectors and the operating temperature is -40 to 85°C.

Features

1. Specially designed for moving vehicles, rail transportation, and tunnels which have special requirements on anti vibration, corruption and humidity
2. Supports 5 10/100Base-T(X) adaptive ports with M12 connectors, full/half duplex, MDI/MDI-X adaptive
3. Supports IEEE802.3/802.3u/802.3x and store and forward switching mode
4. Supports chain and star network topology.
5. Broadcast storm control
6. M12 connectors are anti-vibration and offer reliable connection
7. Abundant power supply options
8. IP67 protection class with dustproof and water proof design and aluminium case
9. Operating temperature: -40 to 85°C (-40 to 185°F)
10. Wall mounting installation

Technical Specifications

Standard

IEEE802.3
IEEE802.3u
IEEE802.3x
Store and forward switching mode

Network

Chain and star network topology

Interface

10/100M Copper Ports: 5 10/100Base-T(X) adaptive ports with M12 connectors (D-coding 4-pin socket)

Cable

Twisted Pair: 100m (Standard CAT5 and CAT5e network cable)

Power Requirements

Power input: 24VDC (18-36VDC), 48VDC (36-72VDC), 110VDC (82-165VDC), 110VAC/220VAC/220VDC
Input terminals: M12 (A-coding 4-pin socket)
Power consumption: <2.5W

Physical Characteristics

Casing: Aluminum case (fanless)
Protection class: IP67
Dimensions (WxHxD): 62x56x120 mm (2.44x2.20x4.72 in)
Weight: 0.5kg (1.102 pound)
Installation: Wall mounting

Environmental Limits

Operating Temperature: -40 to 85°C (-40 to 185°F)
Storage Temperature: -40 to 85°C (-40 to 185°F)
Ambient Relative Humidity: 0 to 95% (non-condensing)

Approvals

IEC61000-4-2 (ESD): ±8KV contact discharge, ±15KV air discharge
IEC61000-4-3 (RS): 10V/M (80-1000MHz)
IEC61000-4-4 (EFT): ±4KV power line, ±2KV data line
IEC61000-4-5 (Surge): power line ±4KV CM/ ±2KV DM, data line ±2KV
IEC61000-4-6 (CS): 3V (10KHZ-150KHZ), 10V (150KHZ-80MHz)
IEC61000-4-8 (Power frequency magnetic field): 100A/m cont. 1000A/m, 1s to 3s
IEC61000-4-12/18 (Damped oscillatory wave): 2.5KV CM, 1KV DM
IEC61000-4-10 (Damped oscillatory): 30A/m
IEC61000-4-16 (Common mode conduct): 30V cont. 300V, 1s
FCC CFR47 Part 15/EN55022: Class A&B
IEC61000-6-2 (Industrial Standards), IEC61850-3 (Substations), IEEE1613 (Electric Power Substations), EN50121-4 (Railway Applications)
IEC61373 (Shock and Vibration)

CE, FCC, ROHS

MTBF

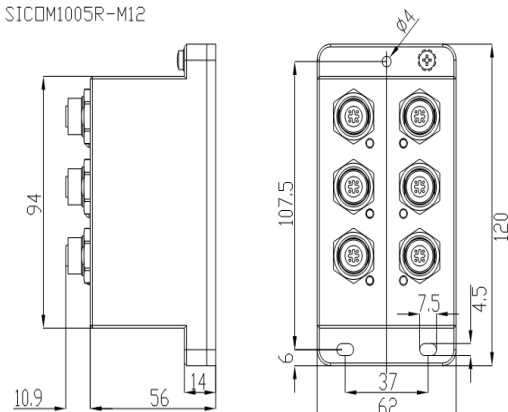
35 years

Warranty

5 Years

Mechanical Drawing

SICOM1005R-M12



Ordering Information

Model	Description	Power Supply
SICOM1005R-M12-5T	5 x 10/100Base-T(X) with M12 connectors	24VDC, 48VDC, 110VDC, 110VAC/220VAC/220VDC
SICOM1005R-M12-5T-B	5 x 10/100Base-T(X) with M12 connectors; Broadcast storm control	24VDC, 48VDC, 110VDC, 110VAC/220VAC/220VDC